



SunPipes for Horizontal Applications

- Easy to install
- Weatherproof
- Can suit any wall surface
- All sizes available



Example showing SunPipes that utilise a wall mounted diffuser suitable for horizontal SunPipes, where you need to pipe in light to internal corridors, storerooms etc.



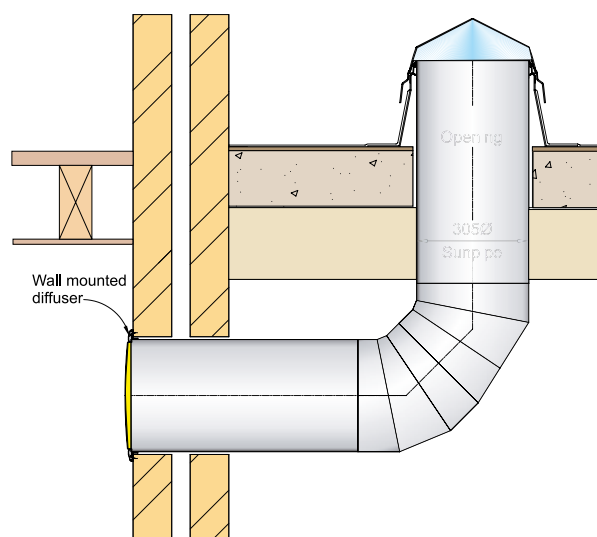
SunPipes can also be used to light up basements by carrying sunlight down from an adjacent flat roof area and by using the mirror finish elbows, the SunPipe can turn through 90° to terminate on any internal wall. Please see separate leaflet for general application notes.

SunPipes for Basement Applications

SunPipes have been a resounding success with their ability to pipe in natural daylight to just about any building but one area that is proving increasingly popular is to bring natural light into basements.

Such is the versatile application of SunPipes that they can even be used angled down into the basement from either ground level or through a purpose built arrangement, as shown in the photograph.

The most popular method for sunpiping where no windows are possible is to install a SunPipe at ground level (ideally on the south side of the building) and then carry this SunPipe down and turn through 90° terminating on an inside wall. The SunPipe can be used to great advantage through any adjacent flat or sloping roof. Alternatively, a small chamber can be constructed, similar to a manhole, to accommodate the SunPipe. The actual SunPipe material is only 0.5mm aluminium and is prone to damage and therefore should be protected where it passes through the ground.

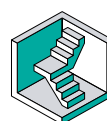


When sizing a SunPipe, particularly for basement applications, it is useful to know that a 12" diameter SunPipe will light up an area of up to 10ft x 10ft on plan, whereas an 18" diameter SunPipe will light up an area of approximately 150sq.ft. It may be necessary to use 2N° or 3N° SunPipes to bring natural light into the side of the room and full technical advice can be obtained from Monodraught on 01494 897705. Where the SunPipe cannot be positioned on the south side of the building where the SunPipe is not subject to exposure to the sun, the performance of the SunPipe will be similar to that of a SunPipe on an overcast day.

The Basement Information Centre (TBIC) is a formalization of the original Basement Development Group, which was set up in 1992, to encourage further development and provide information on domestic basements. It was formed as a direct result of the interest in basements being shown by both builders and their clients, and in recognition of the benefits that they offer.

Monodraught are members of

THE **Basement**
INFORMATION CENTRE



www.basements.org.uk